

# PORTABLE AIR CONDITIONER Instruction Manual

## BRADDA



YPM-06C

Please read the instructions completely before using this product  
This product is designed for household use only.

# INTRODUCTION

---

Thank you for choosing Our Portable Air Conditioner. We hope you enjoy this stylish and practical unit, which is designed for improving your living and working comfort. Please read this manual carefully before using this product.

The following tips may help to maximize the efficiency of your air conditioner:

- When the air conditioner is on, keep doors and windows closed.
- Turn off kitchen or bathroom exhaust fans when your air conditioner is on.
- Operate the unit in recommended room size.  
107 sq.ft. ( 15 sq.m ) for 5,000 BTU
- Turn off the air conditioner when you leave home.
- Check the filter monthly and keep it clean.
- Do not place anything that may generate heat near the thermostat or the air conditioner may run longer than necessary.
- Keep blinds and curtains closed during hot weather.
- Avoid blocking the air vents.

**SAVE THESE INSTRUCTIONS FOR FUTURE REFERENCE**

# IMPORTANT SAFEGUARDS

When using electrical appliances, basic safety precautions should always be followed:

1. Read all instructions
2. To protect against fire, electric shock and personal injury, do not immerse cord, plugs, or the unit in water or other liquid.
3. Close supervision is necessary when the product is used around the children. This product is not intended for use by children.
4. Do not operate the product with a damaged cord/plug. If the plug is damaged in any manner, please return the product for repair.
5. Always keep the product in an upright position.
6. During the transit, the product could be placed upside down, which may cause the oil in the compressor drain into the refrigerant tubes reducing the cooling efficiency. Thus, before using the product, keep the product in a upright position for 1~2 hours.
7. Connect the product to a properly grounded power supply. Do not use an adapter plug or extension cord.
8. Do not cover or insert any object into the air inlet and/or outlet.
9. Turn off the power when no one is in the room.
10. Do not place anything in the direct path of the airflow.
11. Do not place the product near any heat source or where gas leakage may occur.
12. Do not use the product near a bath, shower, or swimming pool, or in any other steamy, or wet areas.
13. Do not turn off/on the product by plugging or unplugging the power cord directly.
14. Do not modify the power cord or share the outlet with other appliances.
15. Unplug the product from the outlet when not in use and before cleaning.
16. Attachments not recommended by the manufacturer as they may cause injuries.
17. Do not expose skin, face and eyes directly to cool air for a long period of time.
18. If an abnormal odor or smoke comes from the product, disconnect the unit immediately and bring to a qualified service technician.
19. Unplug the power from wall outlet before cleaning the filter and do not touch the metal parts inside.
20. Do not apply any kind of insecticide or flammable spray onto or into the unit.
21. Do not step on the product or place objects on the unit.
22. Place the product on a steady and flat surface, or the water may slip out of the water tank.
23. Before storing the product, always drain the water from the unit and clean the filter.
24. Do not use the product for other than its intended use.

The manufacturer disclaims any responsibility if the above instructions are not followed.  
The manufacturer reserves the right to make technical changes without notice.

## SAVE THESE INSTRUCTIONS

**This product is designed for household use only**

## LCDI POWER CORD AND PLUG

This air conditioner is equipped with an LCDI (Leakage Current Detection and Interruption) power cord and plug. The LCDI power cord and plug will shut off the supply source via electrical disconnect (circuit trip) if the nominal current leakage between the cord shield and either load conductor exceeds a predetermined value. The cord will not be able to conduct power until the device has been manually reset. This device provides protection to reduce the risk of fire due to arcing faults in the power cord. The cord shields are not grounded and they must be considered as shock hazards if exposed. The cord shield must not be connected to ground or to any exposed metal.

To ensure if the plug is working properly, please follow the following instructions to test it:

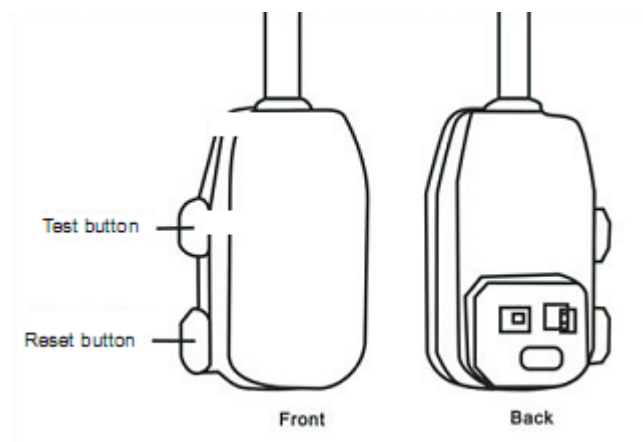
1. Plug power cord into wall outlet.
2. Press TEST button. The circuit should trip, cutting power to the air conditioner.
3. Press RESET button for use.

**DO NOT USE IF ABOVE TEST FAILS.**

In the event the LCDI Plug of the power cord trips by itself, then first examine the cord for any damage. If there is no damage to the cord, then press the RESET Button. If the LCDI Plug trips again, then immediately unplug the power supply cord and contact a professional technician or service center.

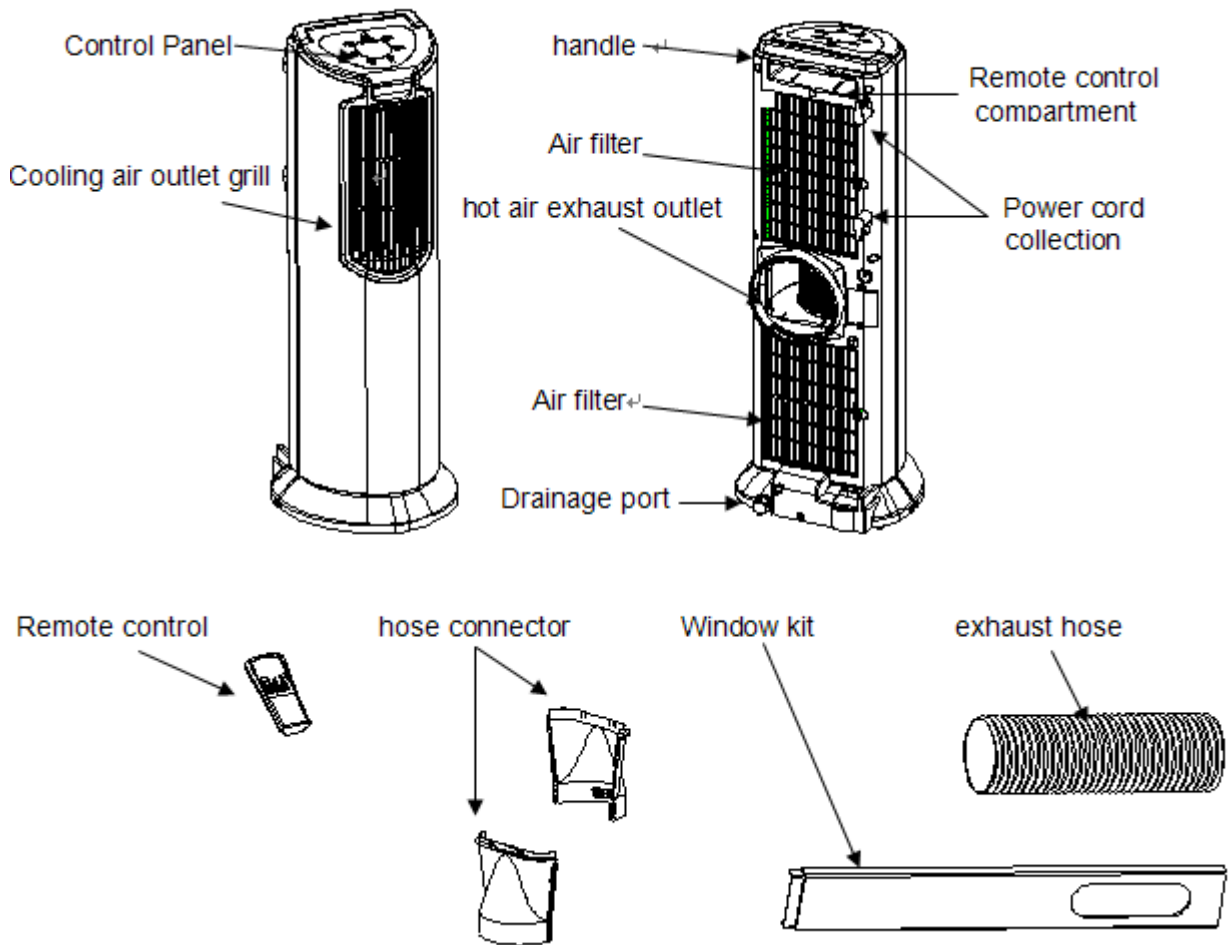
### WARNING:

1. Do not use the TEST and RESET buttons as "ON" and "OFF" switches.
2. Do not press the TEST button while the air conditioner is operating
3. The cord and plug are designed for indoor use only.
4. Periodically examine the cord for any damage. If the shield gets exposed, immediately unplug the power cord and do not use the unit.



# PARTS NAMES

## Parts Name:



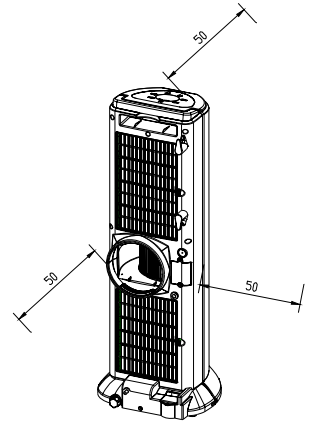
## Features:

1. 3 in 1 portable air conditioner, cooling, fan and dehumidifying function.
2. Colorful LED display with remote control.
3. Quiet and easy operation.
4. Auto defrosting function.
5. 24 hour timer on/off function.
6. Auto swing function of horizontal.
7. Three minutes restart delay to protect compressor.

# INSTALLATION

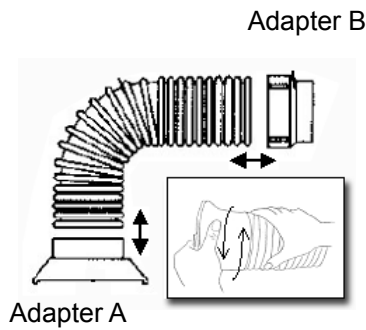
## 1. Select a proper installation location

Place the portable air conditioner on a flat and dry location where the air outlets cannot be obstructed. Leave a 20" (50 cm) minimum space between the product and the wall.



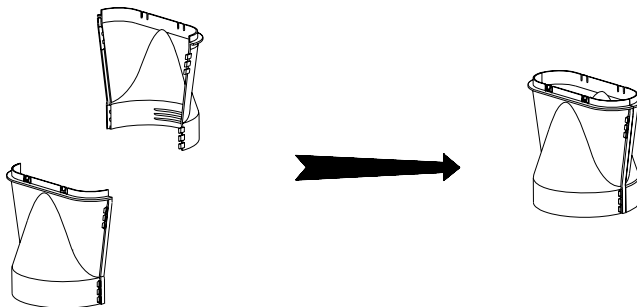
## 2. Assemble the air exhaust hose

Connect the end of the hose and adapter-twist them.



## 3. Connection of hot air exhaust hose

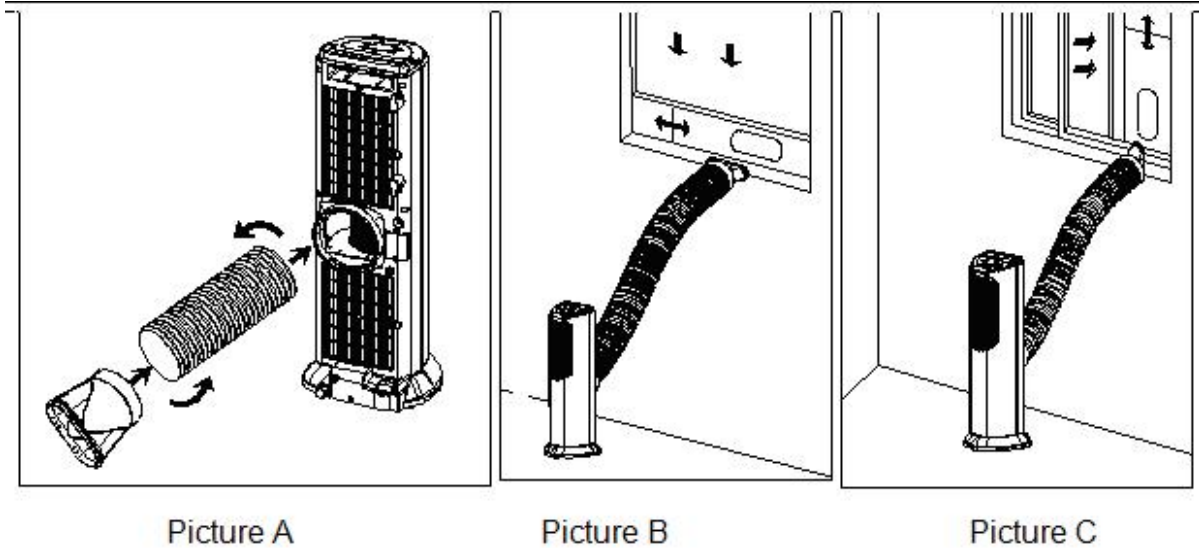
- 1). Assemble the hot air exhaust hose connector as follows. Do not use excessive force as adaptor may be damaged.



- 2). Extend the exhaust pipe, put one side of it into the hot air exhaust outlet. Turn it counter clock wise at least 5 turns and then put the other side into the hose connector and turn it clock wise.
- 3). Put the sliding bar on the window. It's designed to fit most standard vertical and horizontal windows.

#### 4. Install the window kits

Your window kit has been designed to fit most standard "vertical" and "horizontal" window applications. However, it may be necessary for you to improvise/modify some aspects of the installation procedures for certain types of windows.



Picture A

Picture B

Picture C

#### **Notes:**

The length of hot air exhaust hose is between 11" to 59"

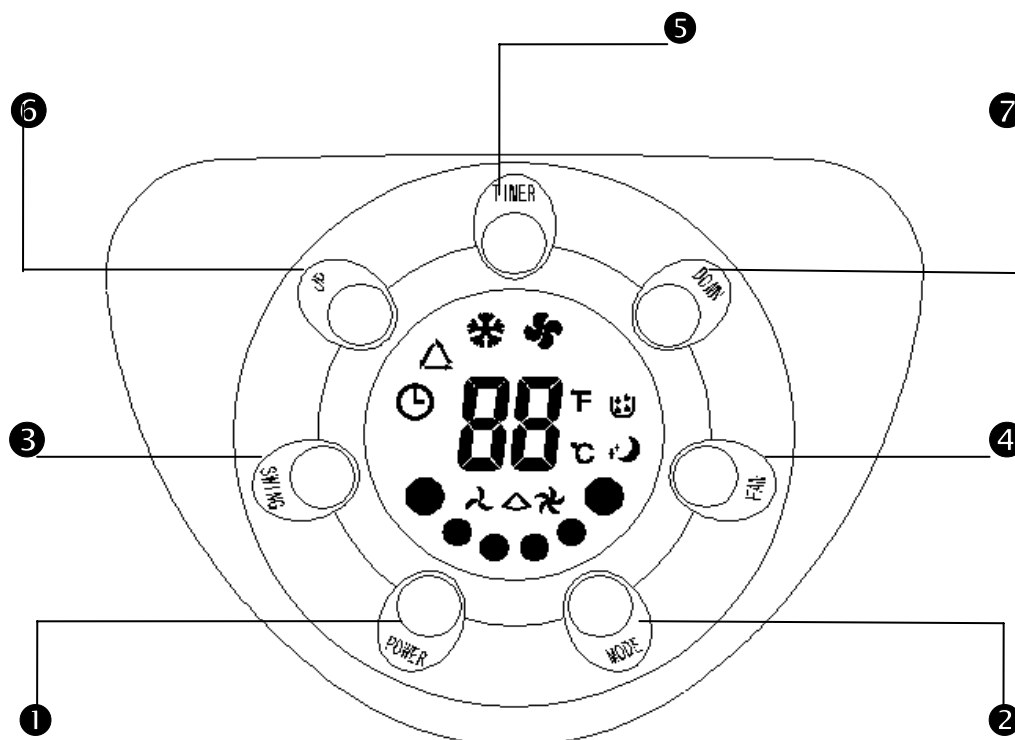
The length of the hot air exhaust hose is designed especially according to the specifications of the air conditioner, do not use an extension or a longer replacement hose as that may cause a malfunction.

Do not bend or twist the hot air exhaust hose more than ( $>45^\circ$ ) angle.

# OPERATING INSTRUCTION

## 1. Control panel











**Cautions:** If the unit is turned off in cool mode and restarted immediately, it will wait in 3 minutes at least before running.



|     |                |  |
|-----|----------------|--|
| ①   | <b>POWER</b>   | Press this button to turn on/off the unit.   |
| ②   | <b>MODE</b>    | Press this button to select cool , fans or dehumidify function.  |
| ③   | <b>SWING</b>   | Press this button to make the horizontal louver swing. To stop swing , press this bottom again.  |
| ④   | <b>FAN</b>     | Fan speed setting.   |
| ⑤   | <b>TIMER</b>   | Press this button to enter time-setting status.  |
| ⑥ ⑦ | <b>UP/DOWN</b> | Press up or down button to set temperature or adjust the timer in timer setting .press both buttons to convert from Celsius to Fahrenheit. |

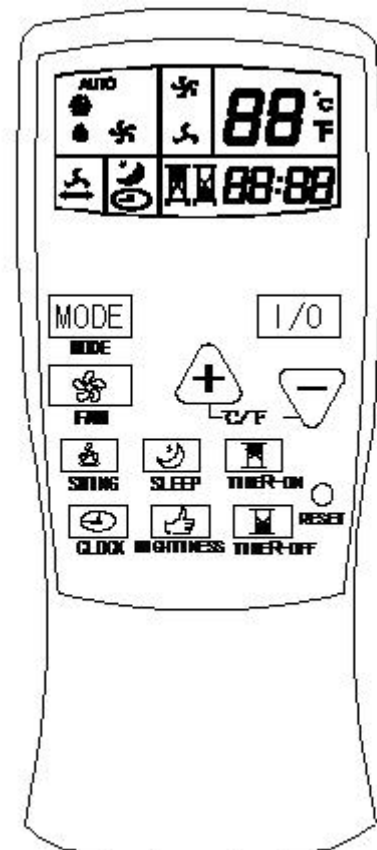


## 2. LED Indicator

-  Temperature and time indicator
-  Cooling mode indicator
-  Fan mode indicator
-  Dehumidifying indicator
-  Sleep mode indicator
-  Auto mode indicator
-  Timer mode indicator
-  Low fan speed indicator
-  High fan speed indicator
-  Swing function indicator

## 3. Remote control

|         |  |
|---------|--|
| POWER   | Press this button to turn on / off the unit.   |
| MODE    | Press this button to select Auto, Cooling, Fan or Dehumidifying mode.  |
| FAN     | Press this button to select High or Low fan speed  |
| SWING   | Press this button to turn on / off the auto swing function.  |
| TIMER   | Press this button to set up time   |
| ECON    | Press this button to force the unit into a strong cooling mode without any limitation of room temperature in cooling mode. |
| SLEEP   | Press this button to active or cancel sleep function in cooling mode.  |
| UP/DOWN | Press this button to adjust time or temperature. Press the two buttons simultaneously to select °C or °F in in display.    |



# OPERATING INSTRUCTION

## 1. Simple steps to use cooling mode

Plug in the power cord and press the "POWER" button

Press "MODE" to chose COOLING mode.

Press "UP" or "DOWN" to set the desired temperature. The temperature ranges from 59F to 86F(15C~30C)

Press, "SPEED" to set a desired fan speed.

The fan will run first. After few minutes, the compressor will start to run if the room temperature is higher then the setting temperature. The compressor will stop running when the room temperature is below the setting temperature.

## 2. Setting the timer

### (1) Turn off the unit automatically:

When the unit is running, press TIMER to set operating duration, and then the LED will flash five times. During this period of time, press Up or Down button to adjust setting time from 0.5 hr. to 24 hr. After setting, the LED will flash five times and then display the room temperature again. When the operating duration reaches the pre-set time, the power will turn off automatically.

### (2) Turn on the unit automatically:

When the unit is off, press TIMER to set start time, and then the LED will flash five times. During this period of time, press Up or Down button to adjust setting time from 0.5 hr. to 24 hr. After setting, the LED will flash five times and then display the temperature again. Once the pre-set time is reached, the power will turn on automatically.

### (3) Change the setting:

When TIMER is on, you can check the remaining time by pressing the TIMER button. It will flash five times. Press Up or Down button to adjust the timer. The timer can be canceled if you press the TIMER button once again when LED is flashing.

### **Attention:**

If the unit is suddenly turned off during operation, the compressor will start to run three minutes after the power is turned back on.

## 3. Setting operating mode

- **COOLING:** When this mode is selected, the fan will run first and then the compressor will start to run five minutes after the power is on. To set your desired temperature, press UP or DOWN button. The temperature ranges from 15C~30C (59F~86F). When the room temperature is lower than the setting temperature, the compressor will stop running until the room temperature is higher than setting temperature. In this case, only the fan will keep running.
- **FAN:** When this mode is selected, the temperature setting cannot be changed, but you can set your desired speed. There is no need to use the air exhaust duct in this mode.
- **DEHUMIDIFYING:** When this mode is selected, it presets the fan speed and mode, and these settings cannot be changed. Under this mode, the compressor will not run, and LED will display room temperature. There is no need to use the air exhaust duct. You may need to drain water with the drain pipe if the humidity is very high.

## 4 .Setting temperature

In COOLING mode, press the "UP" button to increase the temperature setting or press the "DOWN" button to lower the temperature setting. When the number is flashing, it indicates the temperature you are setting up. When the number is lit but not flashing, it indicates the current room temperature.

## 5. Setting fan speed

In COOLING and FAN mode, press "SPEED" to adjust the fan speed. There are high, medium and low modes. Each fan speed corresponds to one indicator on LED control panel. Please note: when unit is in dehumidifier mode, the fan speed cannot be adjusted.

## 6. Auto

Press **MODE** button to select Auto mode. The unit will run cooling / fan / dehumidifying according to the room temperature as following:

- a. Cooling:  $27^{\circ}\text{C} \leq \text{room temperature} \leq 40^{\circ}\text{C}$
- b. Fan:  $21^{\circ}\text{C} \leq \text{room temperature} < 27^{\circ}\text{C}$
- c. Dehumidifying:  $5^{\circ}\text{C} < \text{room temperature} < 21^{\circ}\text{C}$

## 7. Auto defrost

When the air conditioner is used in the cooling or dehumidifying mode in low room temperature conditions it will develop internal frost. When the frost gets to heavy and the efficiency is being compromised the unit will go into a defrost mode automatically and E4 will be displayed. The unit will restart automatically after the frost has been dissipated.

**Suggestion: Do not have the air conditioner running in the cooling or dehumidify mode when the room temperature is below  $15^{\circ}\text{C}$  ( $59^{\circ}\text{F}$ ).**

## 8. Sleep Function

To active or cancel the sleep function by remote control under cooling mode.

The unit will run at low fan speed as default with lower noise. The setting temperature will increase  $1^{\circ}\text{C}$  per 2 hour running time, and it will not change after increasing  $2^{\circ}\text{C}$ .

**Suggestion: Select sleep function when you're in sleeping.**

## 9. Dehumidify

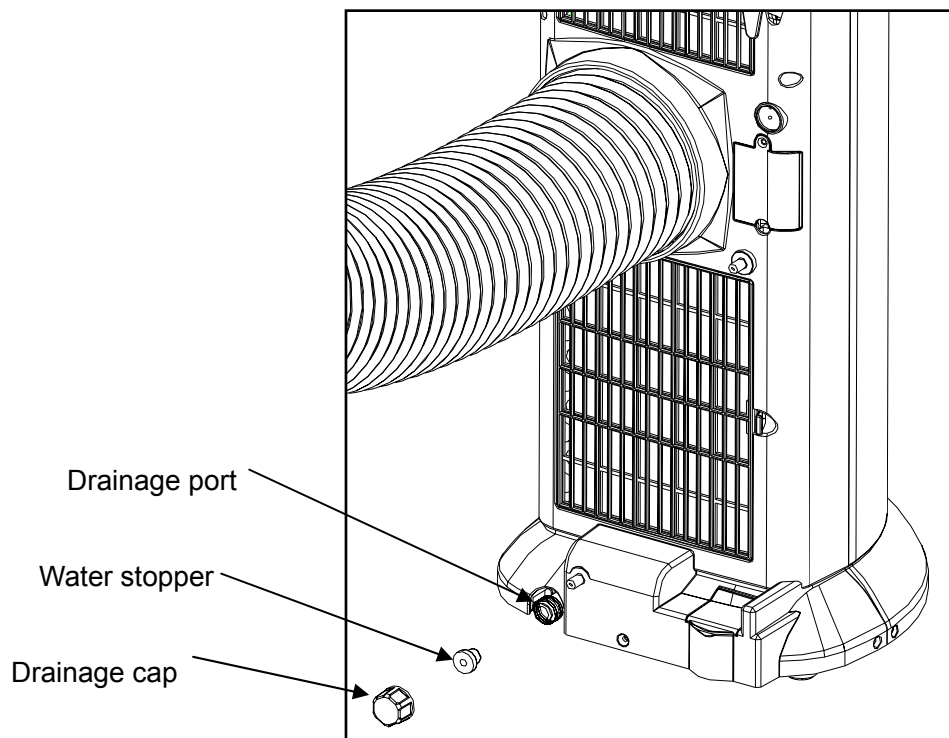
Press **MODE** button to select dehumidify mode, the unit will run at low fan speed as default. And the setting temperature will be invalid, display shows room temperature  $7\sim 35^{\circ}\text{C}$  ( $45\sim 95^{\circ}\text{F}$ ) only.

## WATER DRAINAGE

The water tank in the unit will fill when the air conditioner is used in the dehumidifying mode or run in an area with high humidity.

When water tank is full, water full indicator will light and display will show **P2** as alarm, the air conditioner will be shut off automatically. Then you need to drain the water and restart the air conditioner as follows:

1. Unplug the unit.
2. Put a vessel such as water tank under the drainage port.
3. Remove the drainage cap and water stopper.
4. Drain out the water fully.
5. Insert the water stopper and screw down the drainage cap.
6. Plug in and restart the air conditioner.



### **Cautions:**

Move the air conditioner carefully when the water tank is full to prevent spillage.

The water tank capacity in air conditioner is 0.7L.

# MAINTENANCE

Turn off the unit and pull out the plug from socket before any cleaning or maintenance.

## Cleaning

### 1. Surface cleaning

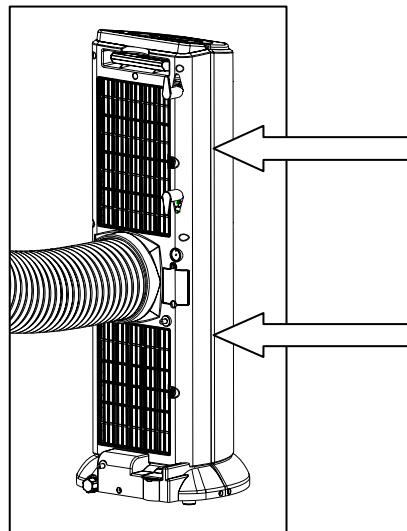
Clean the surface of air conditioner with a duster or half-wet soft cloth.

Do not use chemical solvent like benzene, alcohol, gasoline and etc. or the surface may be damaged or even deformed.

### 2. Air filter cleaning

**The efficiency will be reduced if the air filter is blocked with a lot of dust. It is recommended that the filters are cleaned every two weeks.**

- Take out the two filters as show in the following picture.
- Wash the air filters by immersing them into warm (below 40°C or 104°F) water with neutral detergent and dry them at room temperature.
- Put the air filter back to its original position.



## After season maintenance and storage

- Remove the water stopper to empty the water in the air conditioner.
- Clean air filter.
- Have the air conditioner run in fan mode at low fan speed for 4hours, to ensure the internal air conditioner is dry, to avoid any mildew growth in it.
- Turn off the unit, pull out the plug, put the power cord on the collection of rear panel of unit.
- Remove the hot air exhaust hose & connector.
- Take the batteries out of the remote control.
- Wrap the air conditioner with plastic bag and keep it with all accessories in a dry place.

# TROUBLE SHOOTING

Please check the air conditioner by yourself referring to the following chart before contacting professional service.

| Trouble                            | Reason  | Solution   |
|------------------------------------|---|--|
| The unit doesn't work              | Is no power supply?   | Plug in and turn on the unit.  |
|                                    | Is water full?  | Drain out the water and restart the unit.  |
|                                    | Is the room temperature too high?                                   | Please use only when the room temperature between 5-40°C   |
|                                    | Is Timer function activated?  | Cancel Timer function  |
| The unit does not seem to perform. | Is the unit in direct sunlight?                                     | Draw the curtains  |
|                                    | Is the door or window opened? Is there any heat source in the room? | Close the window and door. Turn off or move the heat source.                                       |
|                                    | Is the filter very dirty?   | Clean or change the air filter   |
|                                    | Is air inlet outlet blocked?  | Clear out the blockage.  |
| The unit noise is high             | Is the room temperature lower than setting temperature?             | Adjust the setting temperature   |
|                                    | Is the unit not on flat place?                                      | Put the unit on flat and hard place  |
| Compressor doesn't work            | Is overheat protection of compressor activated?                     | Re-start the unit after 3 minutes when the temperature of compressor is reduced.                   |
| Remote control doesn't work        | Is the distance too far from the unit?                              | Use remote control near the unit and make sure it aims at the remote control receiver on the unit. |
|                                    | Is the signal not received by unit?                                 |  |
|                                    | Is the battery exhausted?   | Change new battery.  |

**NOTE:** Stop running the unit and pull out the plug if the problem is beyond the trouble shooting chart, and call service center for help. Don't repair or disassemble the unit by yourself to avoid any damage.

# APPENDIX

## Technical parameters



Conforms to UL STD. 484  
Certified to CSA STD. C22.2 No.92

YOAU ELECTRIC CO.,LTD

### Air-conditioner

MODEL  
RATED COOLING  
REFRIGERANT/CHARGE  
POWER SUPPLY  
RATED CURRENT  
HIGH/LOW PRESSURE  
NOISE  
NET WEIGHT  
DIMENSION(L\*D\*H)

**Motor-Compressor Thermally Protected**

Serial No. \*\*\*\*  
YPM-06C  
5000BTU  
R410a/260g  
110-120V/60Hz  
7.5A  
3.5/1.0MPa  
54dB (A)  
19kg  
310\*296\*850mm

### **Risk of electric shock. Disconnect Power before Servicing Unit**

There is no further notice for the change of the parameters above, please refer the exact parameters base on the rating plate



\*Do not dispose this product as unsorted municipal waste. Have refrigerant removed by a qualified service technician before disposing of this unit .